

# YILI STAINLESS STEEL

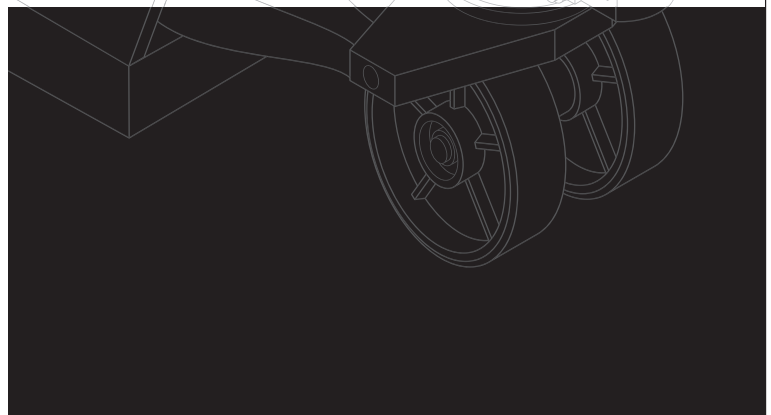
Stainless steel chassis for pallet truck scales

## BENEFITS:

- Attractively priced
- AISI 316 stainless steel
- Electrochemically polished surface
- Cast AISI 316 pump

Good value for money

For industrial use



**RAVAS**

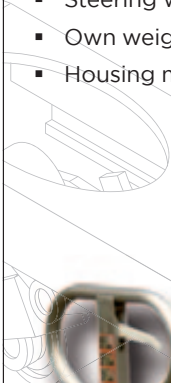
# YILI STAINLESS STEEL

## AVAILABILITY

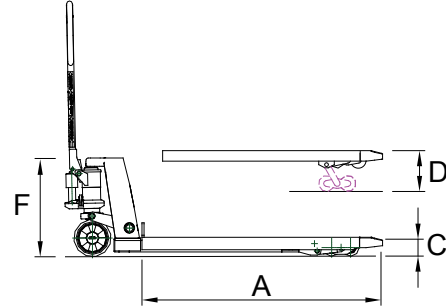
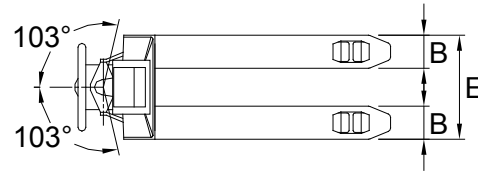
The Yili stainless steel pallet truck chassis is available on the following RAVAS products: RAVAS-1100/-2100/-4100/-6100/-2100 EXi.

## SPECIFICATIONS

- Capacity 2,000 kg
- Pump stainless steel
- Loading wheels nylon, tandem
- Steering wheels nylon
- Own weight 124 kg, excluding indicator housing
- Housing material RAVAS-1100; plastic IP65  
RAVAS-2100/-4100; plastic IP65, stainless steel battery housing  
RAVAS-2100 EXi/-6100; full stainless steel IP65 housings



## DIMENSIONS IN MM



<b>A</b> Fork length	1150
<b>B</b> Fork width	180
<b>C</b> Minimum fork height	90
<b>D</b> Maximum fork height	200
<b>E</b> Width over forks	555
<b>F</b> Height to top of 'A' frame	480
Height to top of indicator:	
RAVAS-1100	635
RAVAS-2100/-4100	970
RAVAS-2100 EXi/-6100	1125



## OPTIONS\*

- Other fork length

\* The use of options may change related specifications

## RAVAS Europe B.V.

P.O. Box 2023, NL-5300 CA Zaltbommel, The Netherlands  
T. +31 (0)418 51 52 20, F. +31 (0)418 51 53 20  
backoffice@ravas.com, www.ravas.com

# RAVAS