

RAVAS ProLine Touch

Pallet truck scale with programmable touch screen indicator

BENEFITS

- Superb accuracy
- Rotating touch screen indicator
- Programmable user interface
- Advanced scale functions, i.e. dosing
- USB port for data capture
- 50 hours battery life
- Shock absorber in the fork tips

The hi-tech standard
Extremely accurate



RAVAS

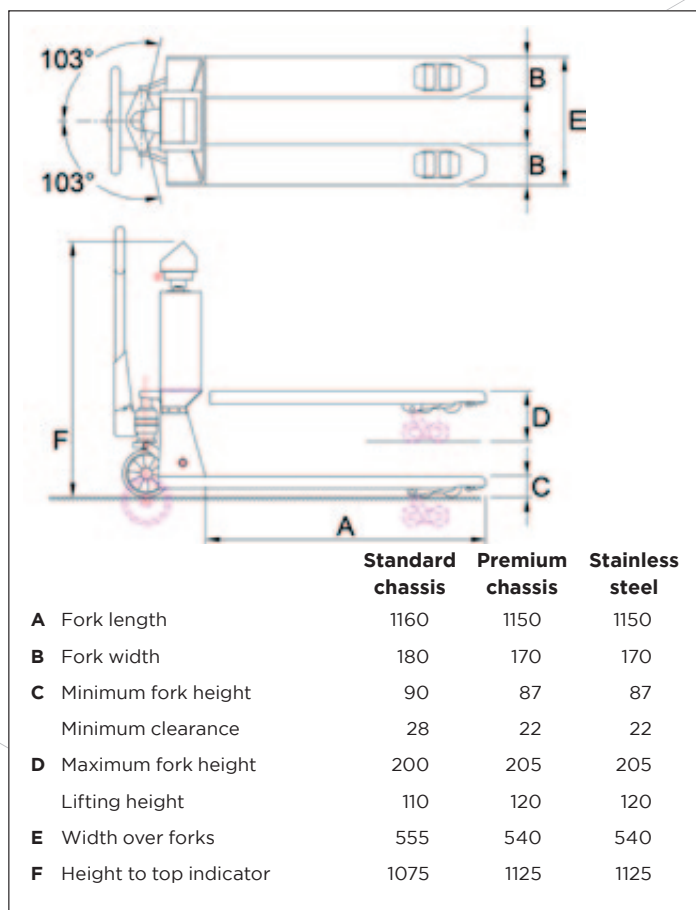
FUNCTIONS

- Automatic and manual zero correction
- Gross/net weighing
- Automatic and manual tare through touch screen
- Entry of alphanumeric codes
- Totalling with sequence number
- Piece counting by sampling or calculation of piece weights
- Error messages in display
- Internal clock

STANDARD SPECIFICATIONS

- Weighing capacity 2,000 kg
- Graduation multirange:
0 - 200 kg: graduation 0.1 kg
200 - 400 kg: graduation 0.2 kg
400 - 2,000 kg: graduation 0.5 kg
- Max. tolerance 0.08% of the load lifted
- Display 18 cm / 7.1 inch, high resolution touch screen
- Protection class load cells IP67, indicator IP65
- Power consumption 360 mA
- Battery 19.2V, by 4 exchangeable battery modules
- Battery life 50 hours, charging time 6 hours
- Charger 230V NiMH charger included
- Steering wheels rubber
- Loading wheels polyurethane, single
- Colour red (RAL 3000), epoxy painted
- Own weight 180 kg
- Pump quick lift

DIMENSIONS IN MM



PREMIUM OPTIONS*

- Client specific software
- 4 extra exchangeable batteries
- Built-in thermal printer
- Bluetooth or WLAN output
- Legal for trade version, OIML III

OPTIONS*

- 0.1 kg graduation, maximum 1,000 kg capacity
- Stainless steel fork shoes
- Premium quality steel pallet truck
- Premium quality stainless steel pallet truck

* The use of options may change related specifications

RAVAS UK Ltd

Office 130, 5 High Street
Maidenhead, Berkshire, GB-SL6 1JN, United Kingdom
T. +44 (0)1628 67 35 24
info.uk@ravas.com, www.ravas.co.uk

RAVAS