

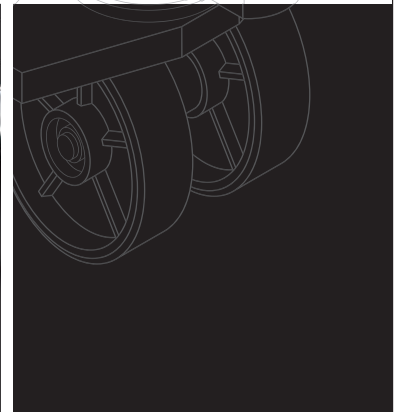
RAVAS ProLine 2100

Custom designed for professional use

BENEFITS

- Superb accuracy
- Rotating indicator
- Big Piezo push buttons
- Exchangeable battery packs
- 250 hours battery life
- Shock absorber in the fork tips

The hi-tech standard
Extremely accurate



RAVAS

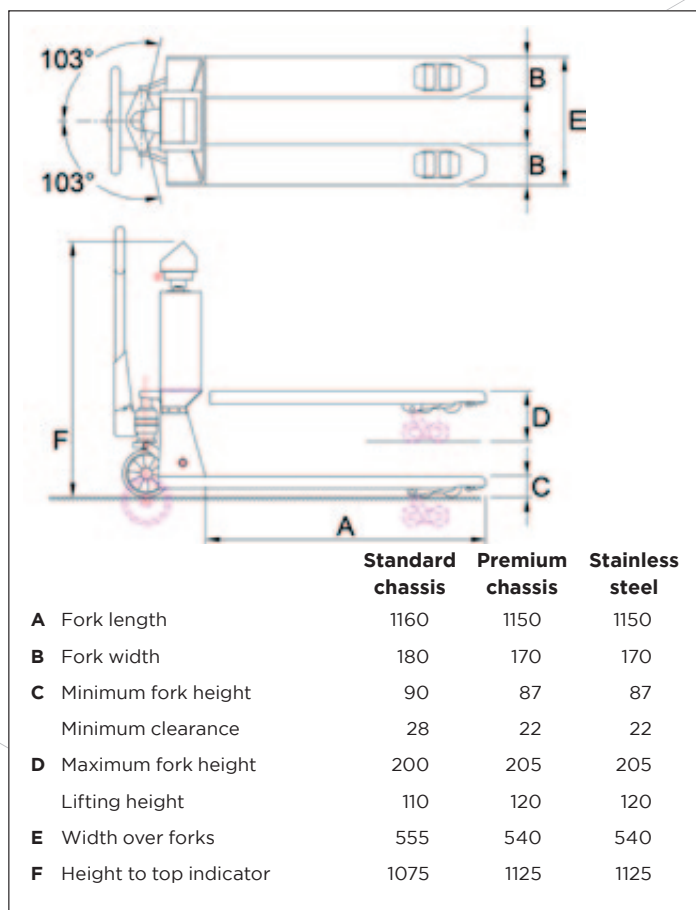
FUNCTIONS

- Automatic and manual zero correction
- Gross/net weighing
- Automatic and manual tare up to 200 kg
- Totalling with sequence number
- Error messages in display
- Automatic switch-off after 30 minutes of non-use
- Low battery indication 5 hours before battery is empty

STANDARD SPECIFICATIONS

- Weighing capacity 2,000 kg
- Graduation multirange:
 - 0 - 200 kg: graduation 0.1 kg
 - 200 - 400 kg: graduation 0.2 kg
 - 400 - 2,000 kg: graduation 0.5 kg
- Max. tolerance 0.08% of the load lifted
- Display LCD, digit height 18 mm
- Keypad 4 Piezo function keys
- Protection class load cells IP67, indicator IP65
- Battery 9.6Vdc NiMH, exchangeable; battery charger included
- Battery 250 hours, low battery indication 5 hours before automatic switch-off
- Charger 230V NiMH charger
- Charging time approximately 6 hours
- Steering wheels rubber
- Loading wheels polyurethane, single
- Pump quick lift
- Own weight 180 kg
- Colour red (RAL 3000), epoxy painted

DIMENSIONS IN MM



PREMIUM OPTIONS*

- Legal for trade version, OIML III
- Premium quality steel or stainless steel chassis
- Bluetooth or WLAN output
- Built-in thermal printer

OPTIONS*

- 0.1 kg graduation, maximum 1,000 kg capacity
- Multirange 0.1 / 0.2 / 0.5 kg - 200 / 400 / 1,500 kg Legal for trade version, OIML III
- Stainless steel fork shoes
- 2 extra exchangeable batteries
- 700 mm width over the forks
- Certified ATEX II 2 G EEx ia IIB T4

* The use of options may change related specifications

RAVAS UK Ltd

Office 130, 5 High Street
Maidenhead, Berkshire, GB-SL6 1JN, United Kingdom
T. +44 (0)1628 67 35 24
info.uk@ravas.com, www.ravas.co.uk

