

# RAVAS-4100

Pallet truck scale with extended scale functions

## BENEFITS

- Parts counting program
- Automatic dosing function
- Three communication protocols
- Internal clock for date/time
- For counting parts, dosing and mixing

Top quality

Advanced functions



# RAVAS

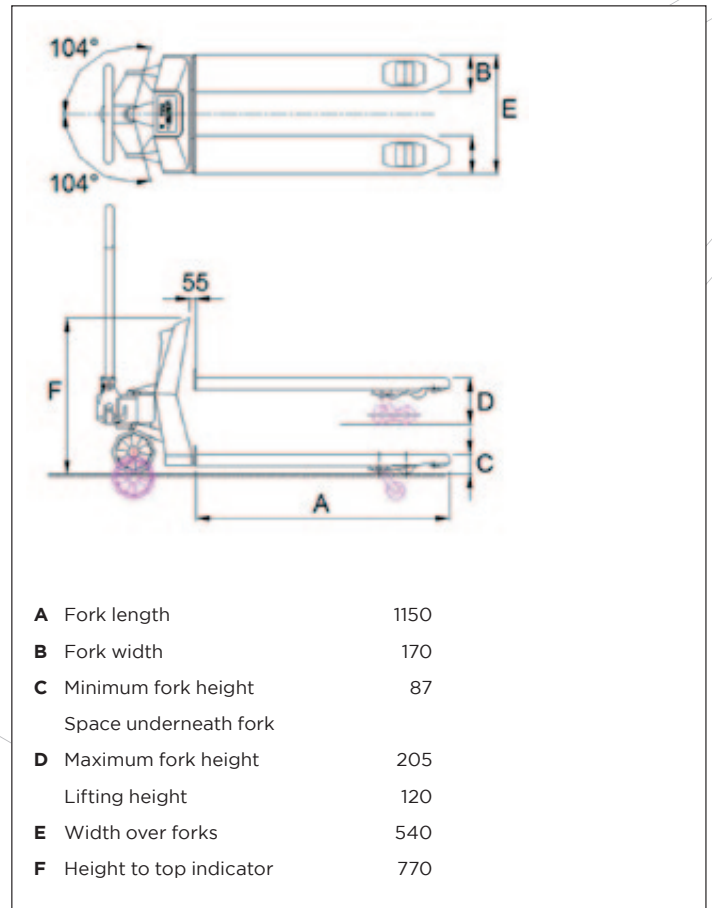
## FUNCTIONS

- Automatic and manual zero correction
- Gross/net weighing
- Automatic and manual tare
- Totalling with sequence number
- Code entry (5-digit)
- Piece counting by sampling
- Piece counting by entry of piece weight
- Two RS232 outputs
- Internal clock
- Error messages in display
- Automatic switch-off after 30 minutes of non-use
- kg/lb toggle

## STANDARD SPECIFICATIONS

- Weighing capacity 2,200 kg
- Graduation multirange:  
0 - 200 kg: graduation 0.2 kg  
200 - 500 kg: graduation 0.5 kg  
500 - 2,200 kg: graduation 1 kg
- Max. tolerance 0.1% of the load lifted
- Display LCD, digit height 18 mm, backlight
- Keypad 5 function keys, on/off key
- Protection class load cells IP67, indicator IP65
- Battery 12Vdc/1.2Ah, exchangeable; battery charger included
- Battery life 35 hours, low battery indication
- Charger 230V/12Vdc - 300 mA
- Charging time approximately 6 hours
- Steering wheels rubber
- Loading wheels polyurethane, single
- Colour red (RAL 3000), epoxy painted
- Own weight 99 kg
- Pump quick lift

## DIMENSIONS IN MM



## PREMIUM OPTIONS\*

- Extra exchangeable battery pack
- Built-in thermal printer
- Bluetooth or WLAN output
- Relay setpoint switch for automatic dosing

## OPTIONS\*

- Multirange graduation 0.1/0.2/0.5 kg
- Stainless steel fork shoes
- Stainless steel or galvanized truck
- Pivoting indicator: readout from all angles during dosing
- Footbrake or handbrake
- Different fork dimensions
- Different steering or loading wheels

\* The use of options may change related specifications

## RAVAS Europe B.V.

P.O. Box 2023, NL-5300 CA Zaltbommel, The Netherlands  
T. +31 (0)418 51 52 20, F. +31 (0)418 51 53 20  
backoffice@ravas.com, www.ravas.com

# RAVAS