

INDICATOR 6100

Weight indicator with programmable scale functions

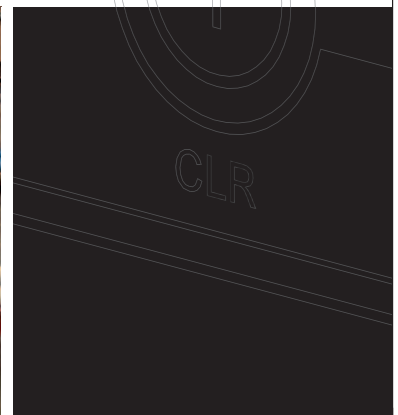
BENEFITS

- Advanced parts counting function
- Programmable for customer applications
- Alphanumeric keypad
- RS232, RS485, 4-20 mA, 0-10V output



Top quality

Customised functions



RAVAS

INDICATOR 6100

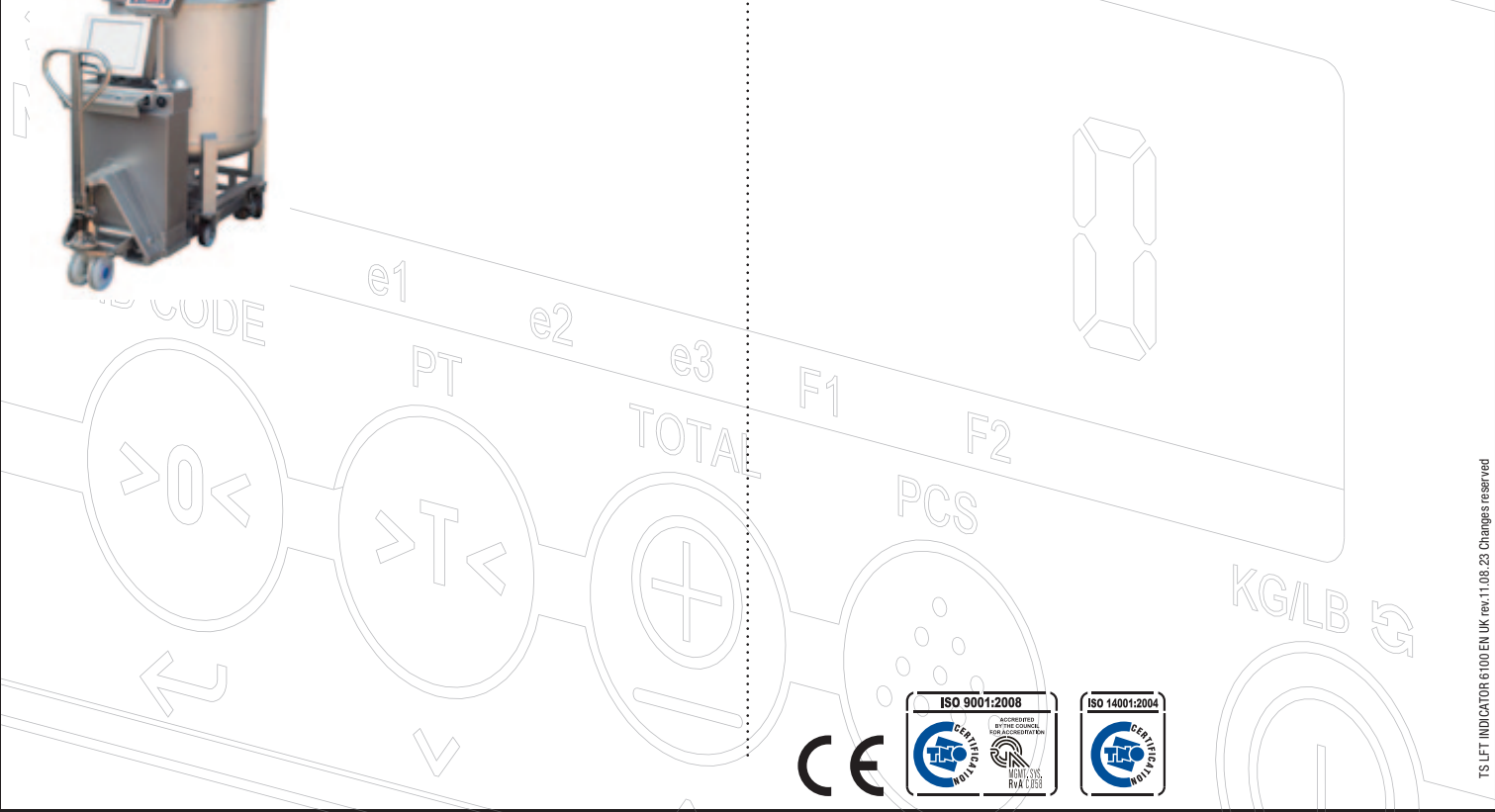
FUNCTIONS

- Automatic and manual zero correction
- Gross/net weighing
- Automatic tare by push button
- Tare entry via numerical keypad
- Internal memory for 9 pre-set tare values
- Totalling function
- Piece counting by sampling or entering of piece weight
- Alphanumeric code entry (max. 10 characters), via keypad
- Internal clock (for recording date/time on printout)
- Error messages in display
- Power supply to printer switched on and off by indicator
- Low battery indication
- Different basic functionality programs available (e.g. dosing program)



STANDARD SPECIFICATIONS

- | | |
|---------------------|--|
| ▪ Display | digital, alphanumeric |
| ▪ Segments | LCD, digit height 14 mm, backlight |
| ▪ Graduation | 0.1, 0.2, 0.5, 1, 2, 5, 10, 20 or 50 kg (see specifications weighing system) |
| ▪ Housing | stainless steel |
| ▪ Protection class | IP65 |
| ▪ Power supply | 12V (230V for stationary applications) |
| ▪ Power consumption | 170 mA |
| ▪ Dimensions | excl. cable glands: 225 x 190 x 45 mm |



PREMIUM OPTIONS*

- Customer specific print lay out
- Customer specific software (6100s)
- Bluetooth or WLAN output

OPTIONS*

- Printer output to thermal or matrix printer
- Extra data output (RS232, RS485, 20 mA CL passive, 4-20 mA (32500 divisions), 0-10V passive)
- Relay switch, for automatic dosing (two setpoints)
- Barcode scanner/printer (6100s)
- Reference scale, for accurately determining small piece weights
- Explosion proof version (EXd)

* The use of options may change related specifications.

RAVAS UK Ltd

Office 130, 5 High Street
Maidenhead, Berkshire, GB-SL6 1JN, United Kingdom
T. +44 (0)1628 67 35 24, F. +44 (0)1628 67 08 78
info.uk@ravas.com, www.ravas.co.uk

RAVAS